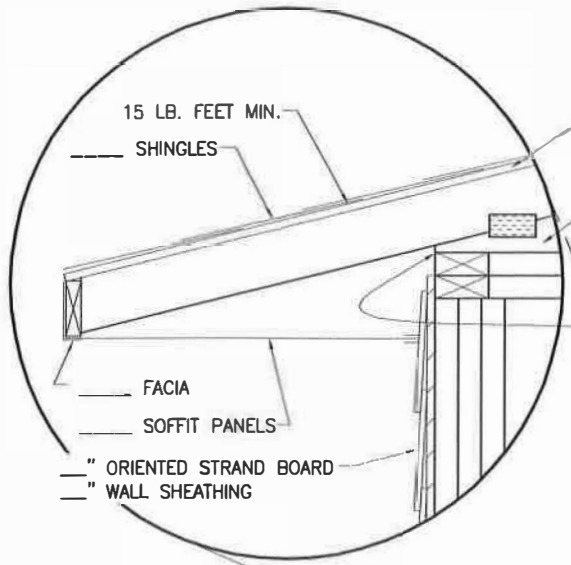


The City of Canton, Illinois

DETACHED GARAGE DETAIL

CONTACT INFO:

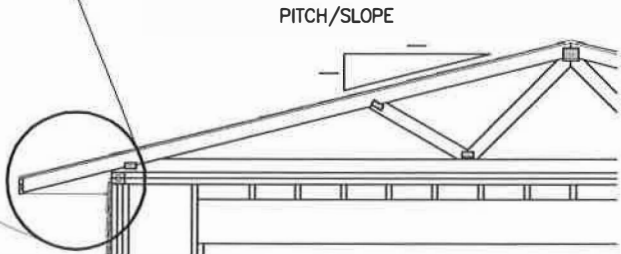
OFFICE OF PLANNING & ZONING
 City of Canton
 2 North Main Street
 Canton, Illinois 61520
 Ph: 309-649-5338
 Fx: 309-647-1288



OVERHANG DETAIL

___" PLYWOOD
 ___" ORIENTED STRAND BOARD
 ENGINEERED TRUSS
 ___" x ___" RAFTERS

TRUSSES: ___" o.c.
 RAFTERS: ___" x ___" - ___ o.c.
 * TABLE R802.5.1 FOR RAFTER SPANS

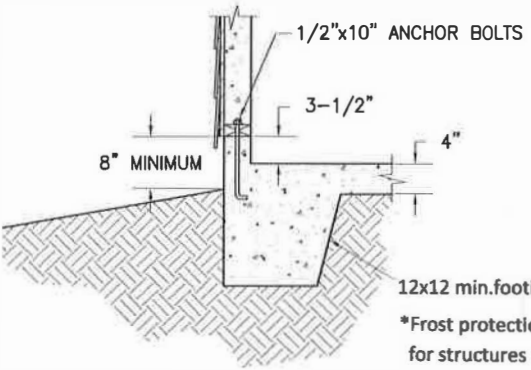


* HEADER SIZE & SPAN
 ___" x ___" x ___"
 * FOR NOMINAL LUMBER HEADERS
 USE TABLE R602.6() FOR MAX SPAN

___ x ___ STUDS
 ___ o.c.

ANCHOR BOLTS 6' O.C. AND MAX.
 12" FROM END OR FROM CORNER

CROSS SECTION VIEW



CURB AND ANCHOR DETAIL

12x12 min. footings for structures 600 sq. ft. or less
 *Frost protection must be provided
 for structures over 600 sq. ft.

NOTE:
 TRUSS DRAWINGS AND PRE-ENGINEERED LUMBER
 SPECIFICATIONS ARE REQUIRED PRIOR TO FINAL
 INSPECTION/APPROVAL

MUST MEET THE REQUIREMENTS OF THE 2003 INTERNATIONAL RESIDENTIAL CODE

D:\3141-Cour\2012\3141 (2002) 06 (Canton) - Engineering - FY 12-13\Detail for John.dwg